

HD VIDEO CONFERENCE CAMERA *IT-FHDCC45 Series*

Lifelike and Crystal Clear Image Effect

Fantastic Color Rendition

Strong Sense of Depth

High Resolution



Full HD Image

Multiple Optical Zoom Lens

Multiple Video Outputs

Advanced ISP Technology and Algorithm

Stable , Reliable and Perfect Compatibility

Easy To Install and Maintain

IT-FHDCC45 Series

Camera Parameter

Model Number	IT-FHDCC45-05	IT-FHDCC45-10
Optical Lens	5X f=3.1~15.5mm	10X f=4.7~47mm
View Angle (Tele/Wide)	20°/ 83.7°	6.43°/ 60.9°
Iris	F1.8 – F2.8	F1.6 – F3.0
Image Sensor:	1/2.8Inch High Quality CMOS Sensor	SDI/HDMI/HDBaseT Video Output Format
Effective Pixels:	2.07MP, 16 : 9	1080P60/50/30/25/59.94/29.97, 1080I60/50/59.94,
Low Illumination:	0.5Lux(F1.8, AGC ON)	720P60/50/30/25/59.94/29.97
DNR:	2D & 3DDNR	USB3.0 Video Output Format
Digital Zoom:	X5	1) USB3.0: 1920X1080P60/50/30/25, 1280X720P60/50/30/25,
White Balance:	Auto/Manual/One Push//3000K/3500K/4000K/ 4500K/5000K/5500K/6000K/6500K/7000K	960X540P30, 640X360P30, 640X480P30, 352X288P30, 960X540P30, 800X600P30
Electronic Shutter:	Auto/Manual/	2) USB3.0(USB2.0 Supported), 960X540P30, 640X360P30,
Focus:	Auto/Manual/One Push/	1280X720P10/15, 720X576P50, 720X480P60, 640X480P30,
BLC:	On/Off	352X288P30
WDR:	OFF/Dynamic Level Adjustment	USB2.0 Video Output Format: 176x144/320x240/320x180/ 352x288/640x480/720x480/720x576/640x360/800X600/ 960X540/1024X576/1024X768/1280X720/ 1920X1080P30/25/20/15/10/5
Video Adjustment:	Brightness, Color, Saturation, Contrast, Sharpness, B/W mode, Gamma curve	
SNR:	>55dB	

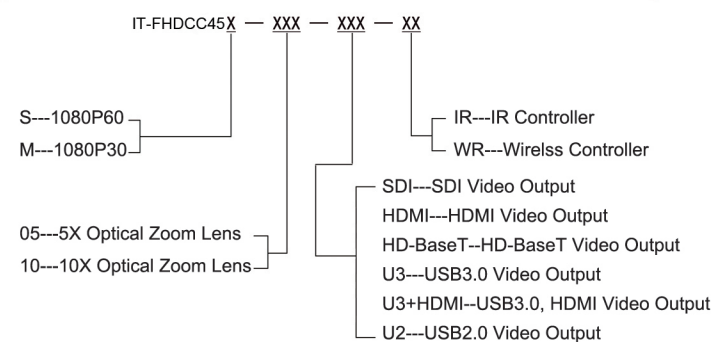
Input /Output Interface

Model No/Interface:	IT-FHDCC45-05/10-SDI Interface: SDI, LAN, RS232, A-IN IT-FHDCC45-05/10-HDMI Interface: HDMI, LAN, RS232, A-IN IT-FHDCC45-05/10-U3 Interface: USB3.0, LAN, RS232 IT-FHDCC45-05/10-U2 Interface: USB2.0, LAN, RS232 IT-FHDCC45-05/10-HD-BaseT Interface: HDBaseT, LAN, RS232, A-IN IT-FHDCC45-05/10-U3+HDMI Interface: USB3.0, HDMI, LAN, RS232
Video Output / Video Stream:	SDI, HDMI, USB3.0, USB2.0, LAN / Dual Stream
Image Multi Code Source Output:	SDI/HDMI/USB3.0/USB2.0, LAN can be with different Code Source/TV System
Video Compression:	H.265, H.264
Audio Compression Format:	A-in: Double track 3.5mm linear input
Audio Output:	SDI, HDMI, LAN
Audio Compression Format:	AAC, MP3, G.711A
LAN:	100M LAN Port (10/100BASE-TX)
Network Protocol:	RTSP, RTMP, ONVIF, GB/T28181, VISCA Control Protocol, Support Remote Update and Reset
Control Port, Protocol:	RS232 (Circuit), RS485, VISCA/Pelco-D/Pelco-P, Baud Rate: 115200/9600/4800/2400bps
Power Supply, Adapter:	HEC3800 Outlet(DC12V), Input AC110V-AC220V, output DC12V/1.5A
Power Input:	DC12V±10%, 1A (Max)

PTZ Parameter & Other Parameter

Pan/Tile Rotation:	-170°~+170°, -30°~+30°
Pan/Tile Controller Speed:	0.1 ~60°/Second, 0.1~30°/Second
Preset Speed:	Pan: 60°/Second, Tilt: 30°/Second
Preset Numbers:	255 (10 points By Remote Controller)
Working Temperature:	-10°C~+50°C, 20%~80%
Dimension:	151.2mmX152.5mmX126.7mm
Weight:	1.4kg
Package:	Power supply, Remote Controller, Manual, Warranty Card
Accessories Optional:	Mount (Extra Cost)

Order No.



Intellisystem Technologies S.r.l.

Via Augusto Murri, 1 - 96100 Siracusa
 Phone +39 (0)931-1756256 / +39 (0)2-87167549 - Mobile (+39) 335 1880035
 em@il: info@intellisystem.it WEB: http://www.intellisystem.it

